

Hydraulically or manually operated locking devices

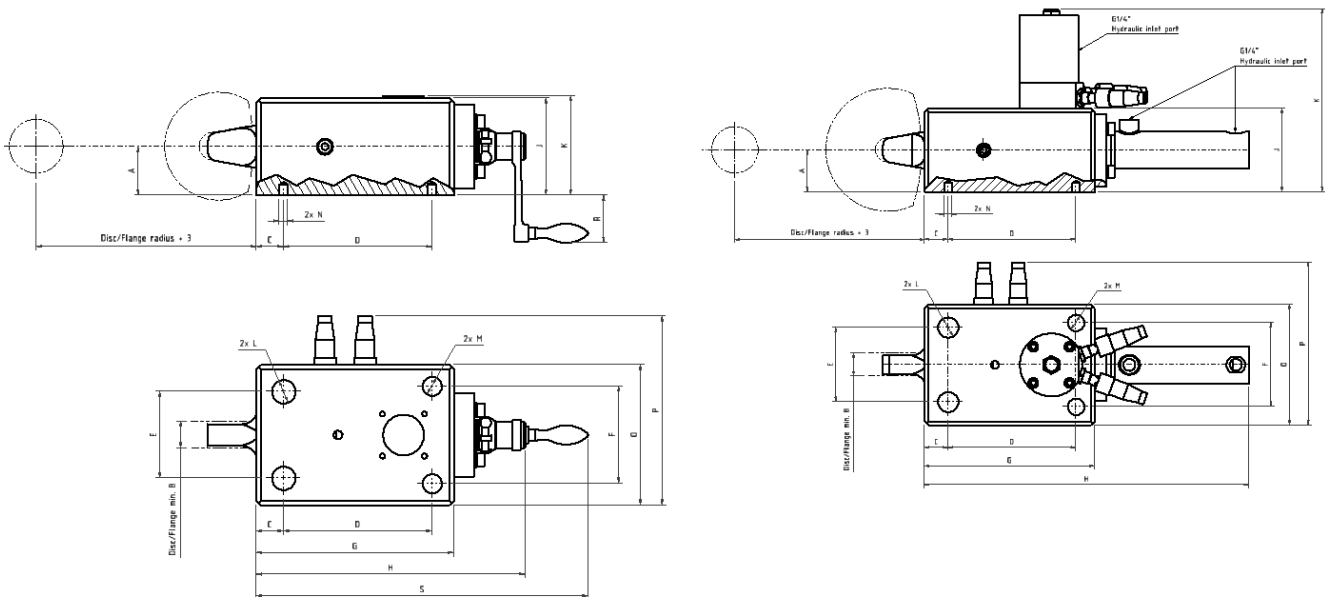
The Dellner Bubenzer locking devices (LM) are fail safe, and are used to mechanically lock a shaft, which allows for safe maintenance procedures to be conducted on or around the entire shaft line arrangement.

The LM devices series have a specially designed tapered pawl that is engaged, either manually or by hydraulic pressure, into a machined slot on the outer peripheral of a brake disc or a shaft flange. The LM devices are equipped with proximity switches for ON/OFF detection (standard).

The LM series offering Locking force ranging from 125 kN up to 1000 kN and optional operational possibilities and accessories (e.g. electrical and lock out functions).



Model	Locking force [kN]	Min. hydraulic pressure [bar]	Max. hydraulic pressure [bar]	Weight [kg]
LM 20-H / LM 20-M	125	85/-	200/-	20/16
LM 40-H / LM 40-M	250	110/-	200/-	48/44
LM 50-H / LM 50-M	500	130/-	200/-	104/100



Model	A	B	C	D	E	F	G	H	J	K	L	M	N	O	P	R	S
LM 20-H / LM 20-M	45	25	25	137	80	90	182	347/ 248	90	197/ 135	22	18		130	175	-/ 44	-/ 306
LM 40-H / LM 40-M	65	40	31	178	118	118	240	448/ 343	103	237/ 172	30	22	Ø8	180	210	-/ 106	-/ 414
LM 50-H / LM 50-M	80	50	45,5	254	149	149	345	578/ 434	160	267/ 232	42	30		240	262	-/91	-/ 505