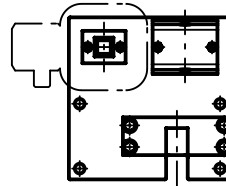
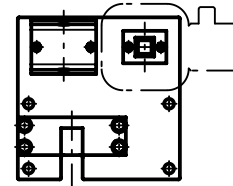


Right-hand execution



Left-hand execution



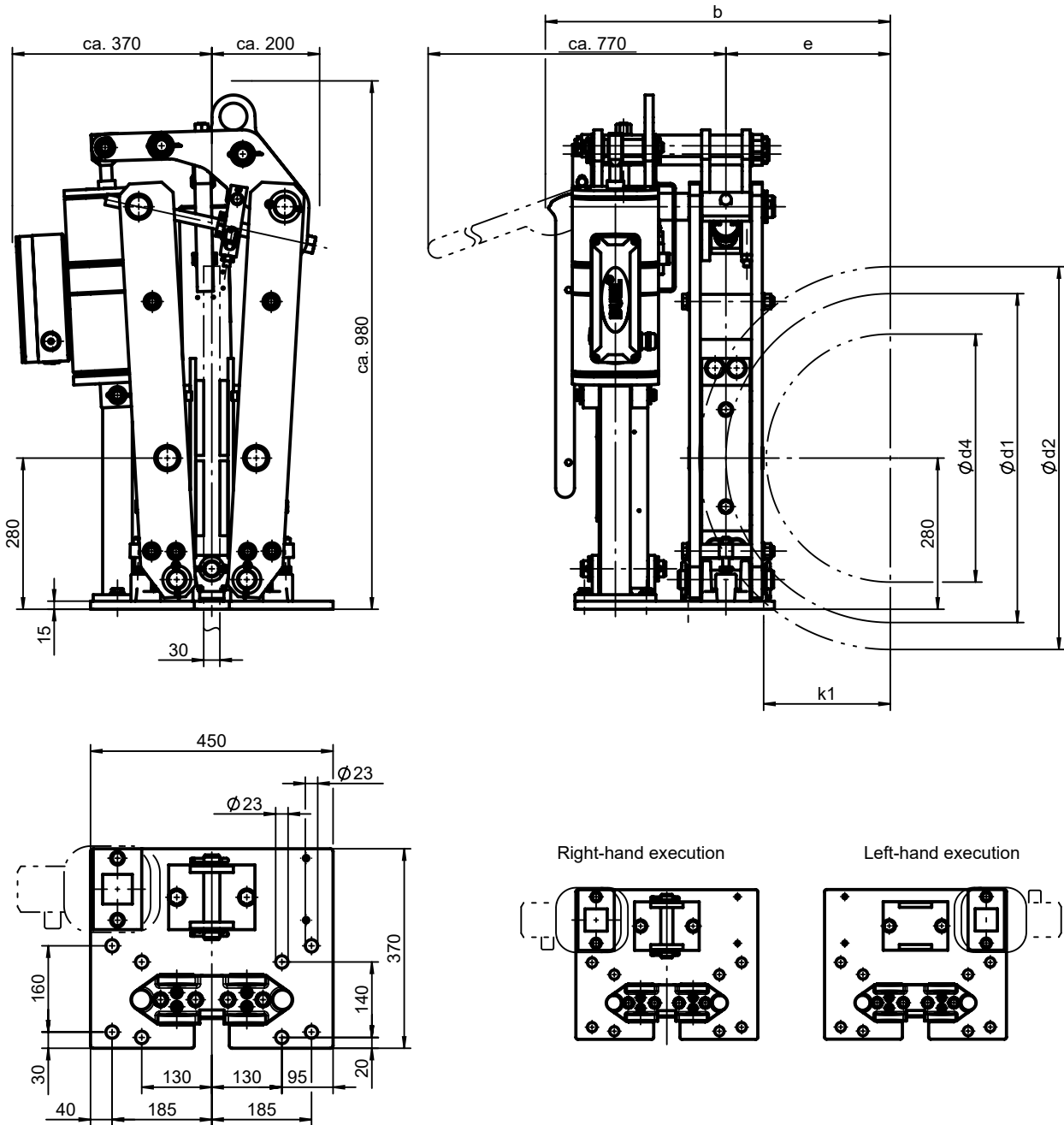
All dimensions in mm
 Alterations reserved without notice

*) Average static friction factor of standard material combination

For crane brake layout use safety factors documented in the FEM 1.001, Section 1

The friction coefficient is subject to fluctuations depending on operational-, material- and ambient-conditions! This must be considered during the selection!

Weight without thruster: ca. 83 kg			Thruster type			BL 30-5 (Weight: 13 kg)			BL 50-6 (Weight: 16 kg)			BL 80-6 (Weight: 21 kg)		
Disc-Ø d ₂	Friction-Ø d ₁	Max. hub-Ø d ₄	Contact force in N			6300			11850			16930		
			b _{max.}	e	k ₁	*M _{Brmax.} (Nm) at μ = 0,4	*M _{Brmin.} (Nm) at μ = 0,4	*M _{Brmin.} (% from M _{Brmax.})	*M _{Brmax.} (Nm) at μ = 0,4	*M _{Brmin.} (Nm) at μ = 0,4	*M _{Brmin.} (% from M _{Brmax.})	*M _{Brmax.} (Nm) at μ = 0,4	*M _{Brmin.} (Nm) at μ = 0,4	*M _{Brmin.} (% from M _{Brmax.})
355	275	160	438	137,5	77,5	695	348	50	1305	653	50	1860	930	50
400	320	205	460	160	100	805	403	50	1515	758	50	2165	1083	50
450	370	255	485	185	125	930	465	50	1755	878	50	2505	1253	50
500	420	305	510	210	150	1060	530	50	1990	995	50	2845	1423	50
560	480	365	540	240	180	1210	605	50	2275	1138	50	3250	1625	50



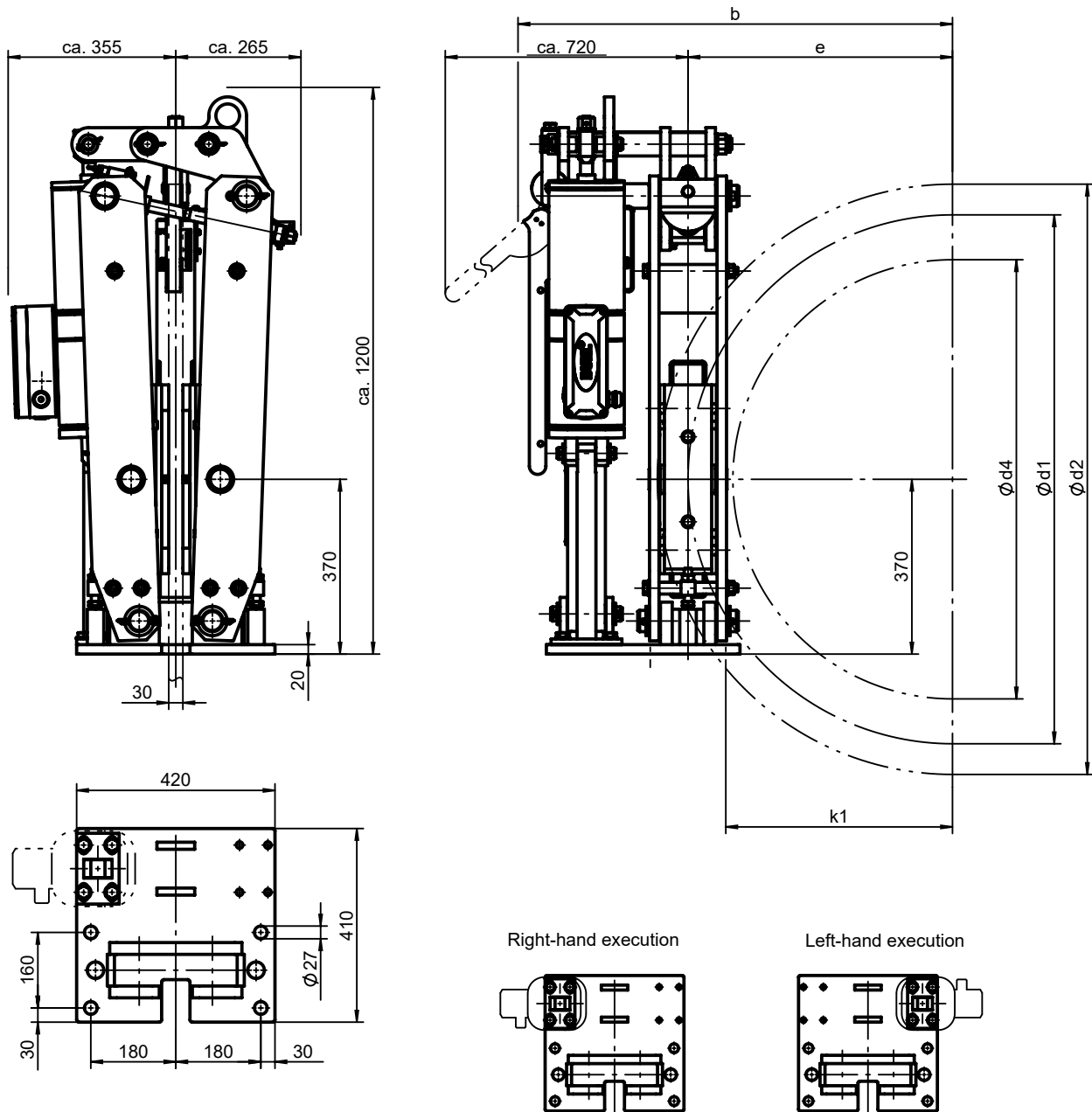
All dimensions in mm
Alterations reserved without notice

*) Average static friction factor of standard material combination

For crane brake layout use safety factors documented in the FEM 1.001, Section 1

The friction coefficient is subject to fluctuations depending on operational-, material- and ambient-conditions! This must be considered during the selection!

Weight without thruster: ca. 180 kg			Thruster type			BL 50-6 (Weight: 16 kg)			BL 80-6 (Weight: 21 kg)			BL 125-6 (Weight: 24 kg)		
			Contact force in N			11680			25200			33500		
Disc-Ø d ₂	Friction-Ø d ₁	Max. hub-Ø d ₄	b _{max.}	e	k ₁	*M _{Brmax.} (Nm) at μ = 0,4	*M _{Brmin.} (Nm) at μ = 0,4	*M _{Brmin.} (% from M _{Brmax.})	*M _{Brmax.} (Nm) at μ = 0,4	*M _{Brmin.} (Nm) at μ = 0,4	*M _{Brmin.} (% from M _{Brmax.})	*M _{Brmax.} (Nm) at μ = 0,4	*M _{Brmin.} (Nm) at μ = 0,4	*M _{Brmin.} (% from M _{Brmax.})
450	350	200	510	175	105	1635	818	50	3530	2118	60	4690	2345	50
500	400	250	535	200	130	1870	935	50	4030	2418	60	5360	2680	50
560	460	310	565	230	160	2150	1075	50	4635	2781	60	6165	3083	50
630	530	380	600	265	195	2475	1238	50	5340	3204	60	7100	3550	50
710	610	460	640	305	235	2850	1425	50	6150	3690	60	8175	4088	50



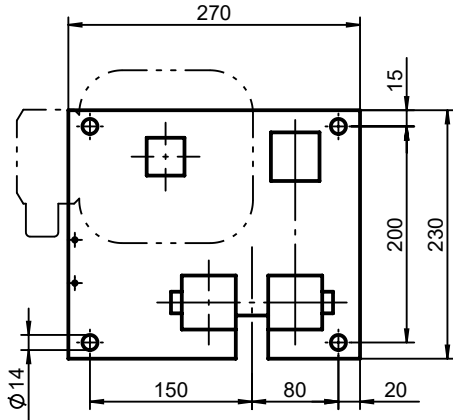
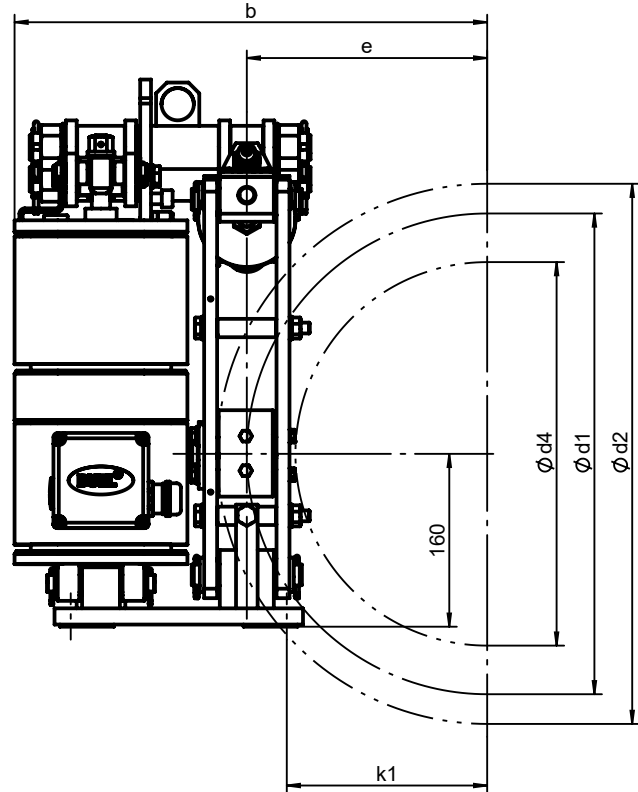
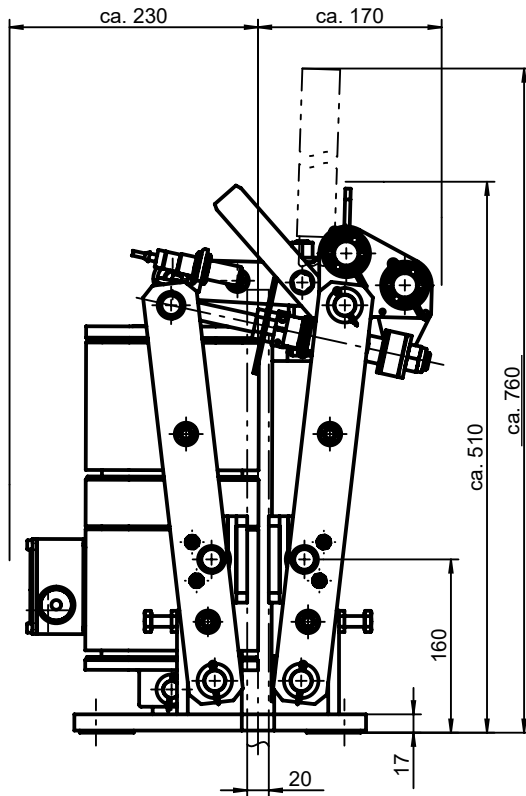
All dimensions in mm
 Alterations reserved without notice

*) Average static friction factor of standard material combination

For crane brake layout use safety factors documented in the FEM 1.001, Section 1

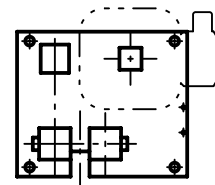
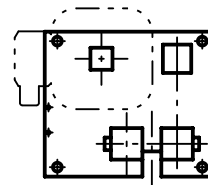
The friction coefficient is subject to fluctuations depending on operational-, material- and ambient-conditions! This must be considered during the selection!

Weight without thruster: ca. 290 kg			Thruster type			BL 125-6 (Weight: 24 kg)			BL 200-6 (Weight: 24 kg)		
Disc-Ø d ₂	Friction-Ø d ₁	Max. hub-Ø d ₄	Contact force in N			31810			45760		
			b _{max.}	e	k ₁	*M _{Brmax.} (Nm) at μ = 0,4	*M _{Brmin.} (Nm) at μ = 0,4	*M _{Brmin.} (% from M _{Brmax.})	*M _{Brmax.} (Nm) at μ = 0,4	*M _{Brmin.} (Nm) at μ = 0,4	*M _{Brmin.} (% from M _{Brmax.})
630	500	310	610	250	170	6360	3180	50	9150	4575	50
710	580	390	650	290	210	7380	3690	50	10615	5308	50
800	670	480	695	335	255	8525	4263	50	12265	6133	50
900	770	580	745	385	305	9795	4898	50	14095	7048	50
1000	870	680	795	435	355	11070	5535	50	15925	7963	50
1250	1120	930	920	560	480	14250	7125	50	20500	10250	50



Right-hand execution

Left-hand execution



All dimensions in mm
Alterations reserved without notice

*) Average static friction factor of standard material combination

For crane brake layout use safety factors documented in the FEM 1.001, Section 1

The friction coefficient is subject to fluctuations depending on operational-, material- and ambient-conditions! This must be considered during the selection!

Weight without thruster: ca. 37 kg			Thruster type			BL 22-5 (Weight: 11 kg)			BL 30-5 (Weight: 13 kg)		
Disc-Ø d ₂	Friction-Ø d ₁	Max. hub-Ø d ₄	Contact force in N			2500			3400		
			b _{max.}	e	k ₁	*M _{Bmax.} (Nm) at μ = 0,4	*M _{Bmin.} (Nm) at μ = 0,4	*M _{Bmin.} (% from M _{Bmax.})	*M _{Bmax.} (Nm) at μ = 0,4	*M _{Bmin.} (Nm) at μ = 0,4	*M _{Bmin.} (% from M _{Bmax.})
250	195	105	325	97,5	60,5	195	107	55	265	133	50
280	225	130	340	112,5	75,5	225	124	55	305	153	50
315	260	165	358	130	93	260	143	55	355	178	50
355	300	205	378	150	113	300	165	55	410	205	50
400	345	250	400	172,5	135,5	345	190	55	470	235	50
450	395	300	425	197,5	160,5	395	217	55	535	268	50
500	445	350	450	222,5	185,5	445	245	55	605	303	50