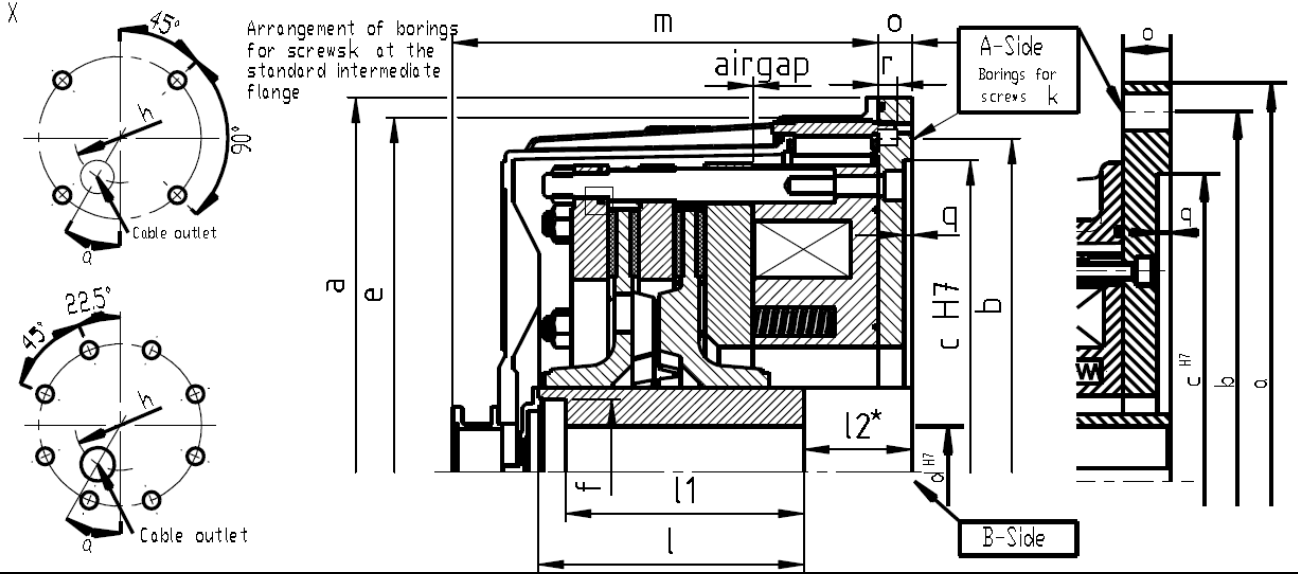


# Twin Safe Electromagnetic Quad-Disc Spring-Applied Brake



Brake size		Twin Safe 200	Twin Safe 320	Twin Safe 500	Twin Safe 800	Twin Safe 1250	Twin Safe 2000	
Brake torque M2 <sup>1)</sup> dynamic acc. to DIN VDE 0580	Nm	2000	3200	5000	8000	12500	20000	
Mass moment of inertia	kgm <sup>2</sup>	0,10	0,26	0,28	0,65	N.A.	N.A.	
Mass (weight)	kg	215	310	395	455	N.A.	N.A.	
max. idle speed	min <sup>-1</sup>	3600	3200	2800	2500	N.A.	N.A.	
Coil at 20°C	Nominal voltage	V	110	110	110	110	N.A.	
	DC							
	Nominal power	W	344	435	495	553	N.A.	
	Nominal current	A	3,13	3,95	4,50	5,03	N.A.	
Airgap Off	normal	mm	0,7	0,6	0,6	0,6	N.A.	
	maximum	mm	3,2	4,6	5,0	5,0	N.A.	
Diameter mm	B-Side	d pilot bore						
		d <sup>H7</sup> preferential bore	70	90	100	100	N.A.	N.A.
				100	105	105	N.A.	N.A.
		d <sup>H7</sup> maximum	75	110	110	110	N.A.	N.A.
	e	446	510	556	625	N.A.	N.A.	
	f	96	128	128	128	N.A.	N.A.	
	h	330	394	440	520	N.A.	N.A.	
Length mm		l	216	234	234	234	N.A.	
		l <sub>1</sub> standard	200	210	210	210	N.A.	
		l <sub>2</sub> <sup>2)</sup>	0	0	36,5	95	N.A.	
		m	266	286	317	376	N.A.	
Angle	α°	30	30	45	30	N.A.	N.A.	
Suitable standard Intermediate flanges		A450-1	A550-1	A660	A660-1	A800	A800-1	
		A550	A660	A800	A800			
		A660	A800					

<sup>1)</sup>: Measured at 1m/s; Values are only achieved after running-in process; other brake torque on request

<sup>2)</sup>: Only valid for the mentioned values of dimension "o". For flanges with junction box, radial cable outlet, etc. the value shall be requested.

### Dimensions of standard intermediate flanges

Standard intermediate flange	A450	A450-1	A550	A550-1	A660	A800	A800-1
Diameter mm	a	450	450	550	550	660	800
	b	400	400	500	500	600	740
	c H <sup>7</sup>	350	350	450	450	550	680
Length mm	o	24	24	24	24	30	30
	q	6	6	6	6	7	7
	r		17,5		17,5		21,5
	Screws k	8xM16	8xM16	8xM16	8xM16	8xM20	8xM20

NOTE: Double voltage is required to release the brake. A subsequent switch back to nominal voltage is required when keeping the brake released.

Keyways for keys acc. to DIN 6885/1; width accuracy P9

Protection IP67

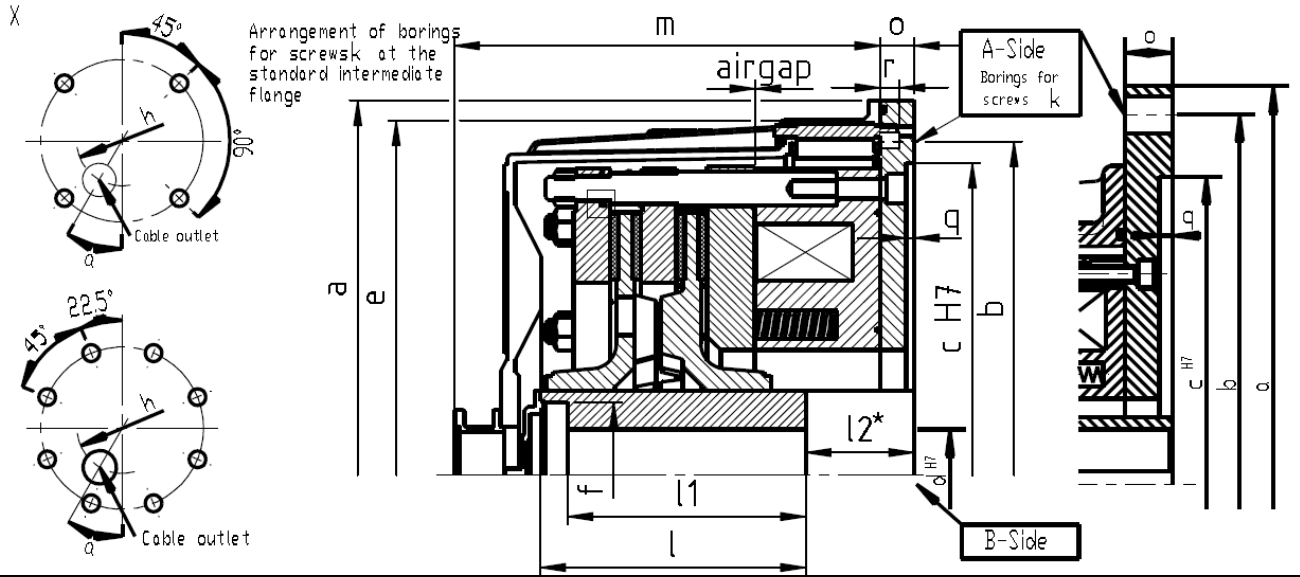
Subject to change without notice

Version	Datum	Name	8-A01416300953	Blatt 1 von 1	
B/8-THO21016	Erstellt	16.06.2021			THO
	Geprüft	16.06.2021			THO
	Freigegeben	17.06.2021	DIR		

Passing on as well as duplication of this base, utilisation and communication of her contents does not permit, until expressly conceded. Offence oblige for compensation. All rights for the case of the patent explanation or utility model registration reserve.  
© DELLNER BUBENZER GmbH, Kirchen

Weitergabe sowie Vervielfältigung dieser Unterlage, Verwendung und Mitteilung ihres Inhaltes nicht gestattet, soweit nicht ausdrücklich zugestanden. Zuwiderhandlung verpflichten zu Schadensersatz. Alle Rechte für den Fall der Patentklärung oder Gebrauchsmuster-Eintragung vorbehalten.  
© DELLNER BUBENZER GmbH, Kirchen

data sheet Twin Safe-TR



<b>Brake size</b>								<b>Twin Safe 800-TR</b>					
Brake torque M2 ) <sup>1</sup> dynamic acc. to DIN VDE 0580	Nm							8000					
Mass moment of inertia	kgm <sup>2</sup>							0,65					
Mass (weight)	kg							455					
max. idle speed	min <sup>-1</sup>							2500					
Coil at 20°C	Nominal voltage	V						110					
		DC											
	Nominal power	W						553					
	Nominal current	A						5,03					
Airgap Off	normal	mm						0,4					
	maximum	mm						5,0					
Diameter mm	B-Side	d pilot bore											
		d <sup>H7</sup> preferential bore							100				
									105				
		d <sup>H7</sup> maximum							110				
	e							625					
	f							128					
	h							520					
Length mm	l							234					
	l <sub>1</sub> standard							210					
	l <sub>2</sub> ) <sup>2</sup>							95					
	m							376					
Angle	α°							30					
Suitable standard Intermediate flanges								A660-1					
								A800					

<sup>1</sup>: Measured at 1m/s; Values are only achieved after running-in process; subject to tolerances; other brake torque on request  
<sup>2</sup>: Only valid for the mentioned values of dimension "o". For flanges with junction box, radial cable outlet, etc. the value shall be requested.

Dimensions of standard intermediate flanges

Standard intermediate flange	A450	A450-1	A550	A550-1	A660	A800	A800-1						
Dia- meter mm	a	450	450	550	550	660	800	800					
	b	400	400	500	500	600	740	740					
	c H <sup>7</sup>	350	350	450	450	550	680	680					
Length mm	o	24	24	24	24	30	30	30					
	q	6	6	6	6	7	7	7					
	r		17,5		17,5		21,5						
Screws k	8xM16	8xM16	8xM16	8xM16	8xM20	8xM20	8xM20						

NOTE: Double voltage is required to release the brake. A subsequent switch back to nominal voltage is required when keeping the brake released.  
 Keyways for keys acc. to DIN 6885/1; width accuracy P9  
 Protection IP67

Subject to change without notice

Version		Datum	Name	<b>8-A01416310953</b>	Blatt 1 von 1
A/8-THO21016	Erstellt	16.06.2021	THO		
	Geprüft	16.06.2021	THO		
	Freigegeben	17.06.2021	DIR		

Passing on as well as duplication of this base, utilisation and communication of her contents does not permit, until expressly conceded. Offence oblige for compensation. All rights for the case of the patent explanation or utility model registration reserve.  
 © DELLNER BUBENZER GmbH, Kirchen

Weitergabe sowie Vervielfältigung dieser Unterlage, Verwendung und Mitteilung ihres Inhaltes nicht gestattet, soweit nicht ausdrücklich zugestanden. Zuwiderhandlung verpflichten zu Schadensersatz. Alle Rechte für den Fall der Patentklärung oder Gebrauchsmuster-Eintragung vorbehalten.  
 © DELLNER BUBENZER GmbH, Kirchen