

Active rotor brakes

hält



We always strive to carry out customer specifications, until everything is perfect. We assemble components with this goal in mind, and likewise, subsequently proceed to assembly. Until then, there is no time to relax.

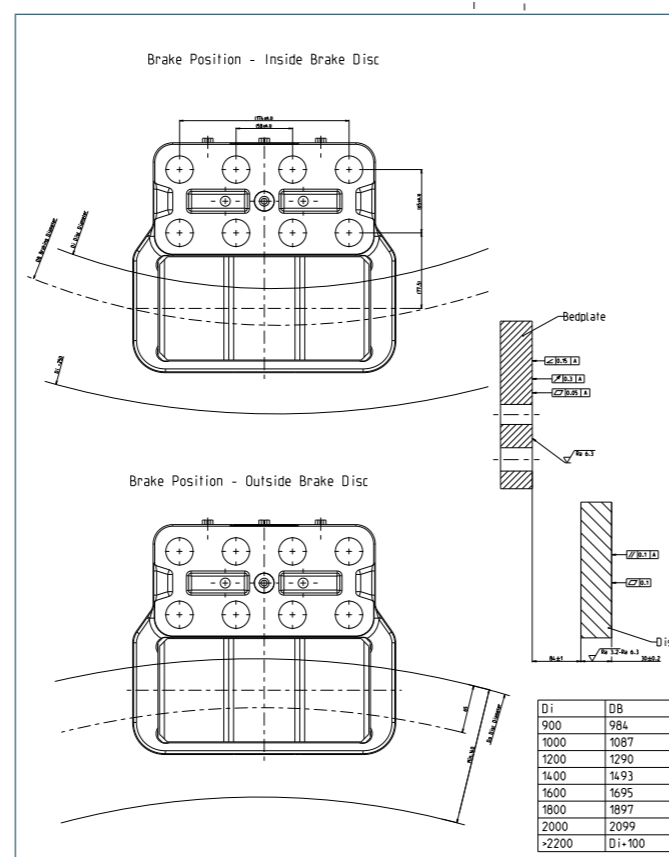
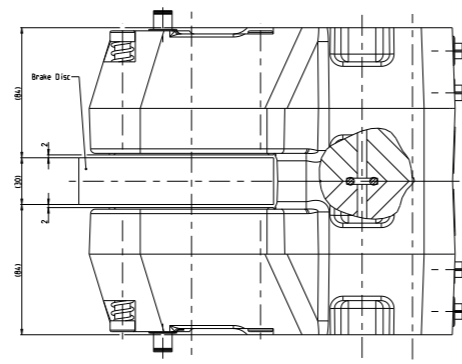
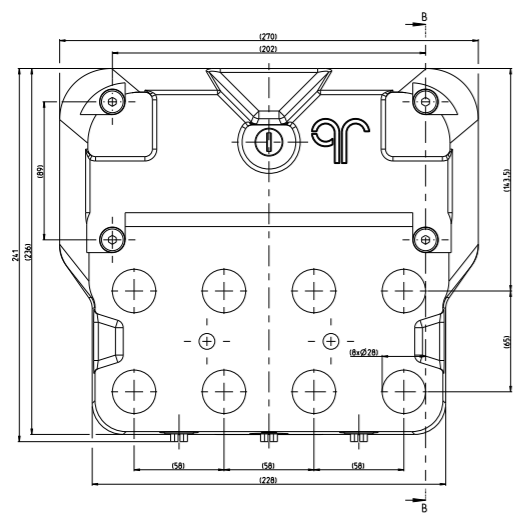
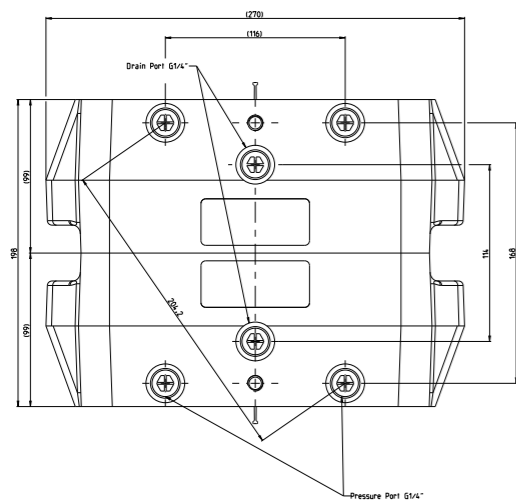
Markus auf der Springe, Head of Controlling

JHS-16-LS



- Brake hydraulically applied
- Airgap between brake pad and disc up to 2 mm per side
- Organic linings
- Tight fitting between brake pad and caliper
- Drain ports for hydraulic oil leakage, prevents oil on brake disc, high safety
- Min. / Max. working temperature -40 / +60 °C

JHS-16-LS



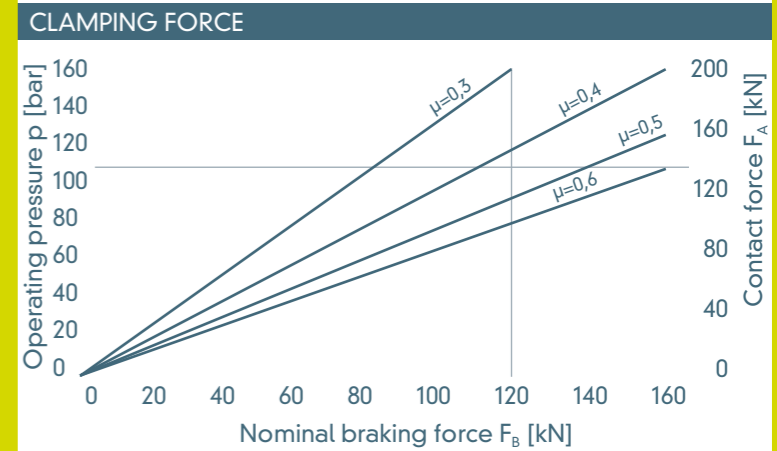
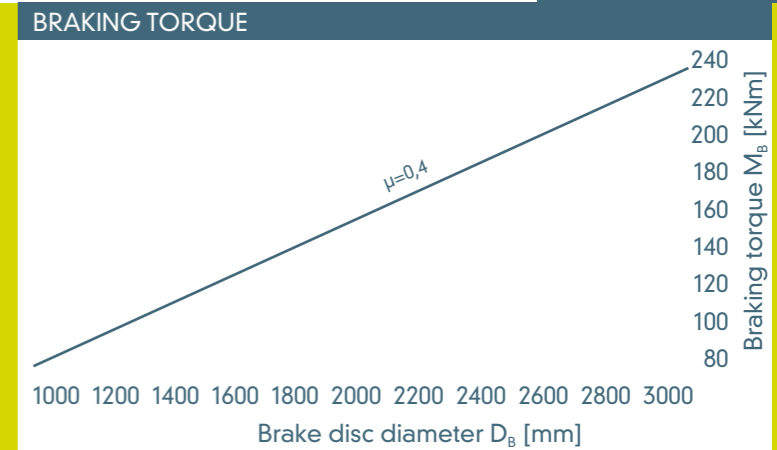
TYPE JHS-16-LS	
Contact force F_A	200 kN
Operating pressure p (max)	160 bar
Piston area (per side)	127 cm ²
Volume at 1 mm stroke (per side)	12,7 cm ³
Temperature range	-40 / +60 °C
Weight	56 kg
Pressure connection port	G1/4
Drain connection port	G1/4

BRAKE PAD	
Pad area (each side)	235 cm ²
Brake pad width	108 mm
Theor. friction coefficient	0,4 μ

BRAKE DISC	
Brake disc ϕD_2	1000 mm
Disc thickness (standard)	30 mm

BRAKING TORQUE	
Braking torque formula:	
$F_A = p \times 1,272$	
$F_B = F_A \times 2 \times \mu$	
$M_B = a \times F_B \times D_B / 2$	

- F_A = Contact force [kN]
- p = Operating pressure [bar]
- F_B = Nominal braking force [kN]
- M_B = Braking torque [kNm]
- a = Number of calipers acting on the disc
- D_B = Brake disc diameter [m]



- | OPTIONS | |
|---|--|
| • Complete piped supports for one more calipers | |
| • Hydraulic power unit | |
| • Brake disc | |
| • Brake pad with different material | |
| • Brake pad wear indicator | |