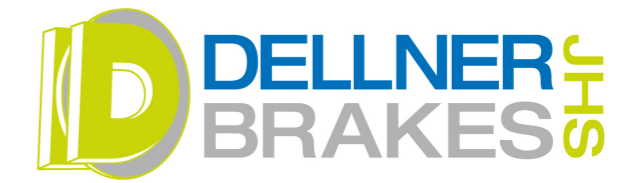


Active yaw brake caliper



hält



As the person responsible for all export matters, I can really appreciate simple solutions that are quick and easy to use. Maybe this is why I like the solution with laterally removable pads so much.

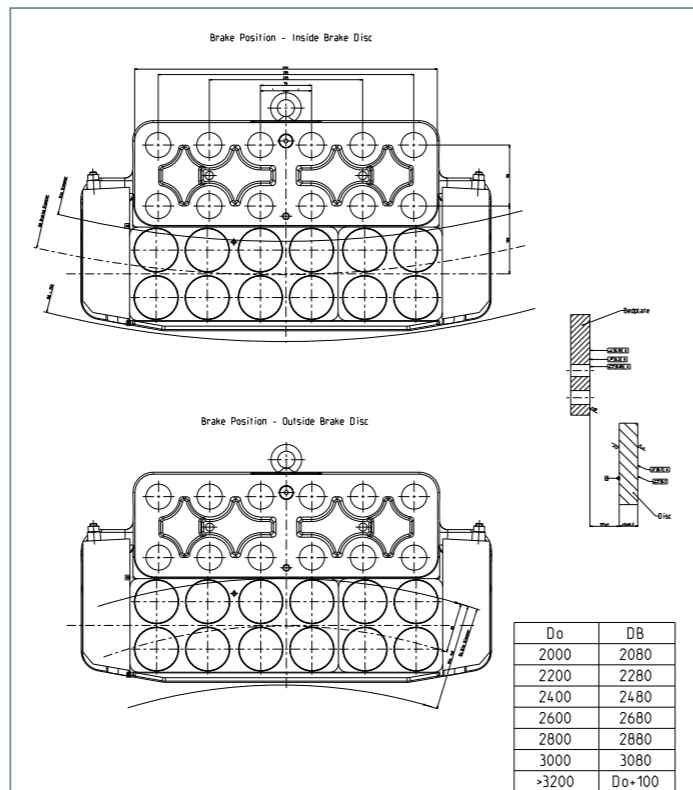
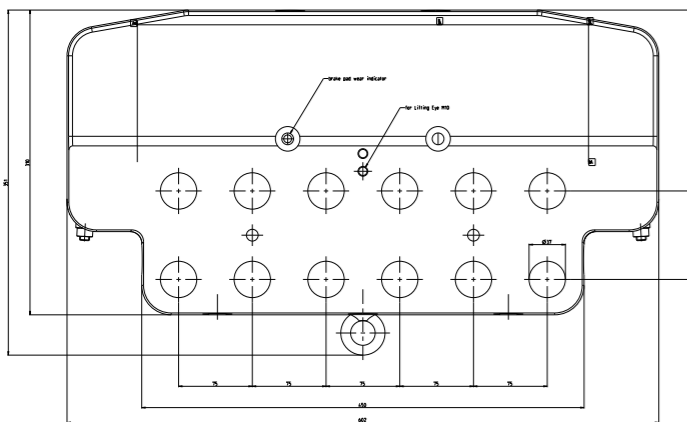
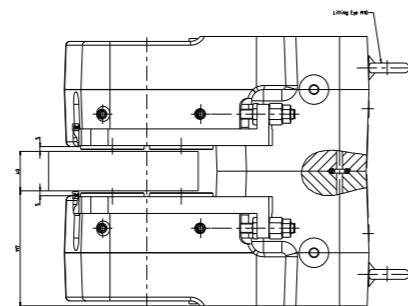
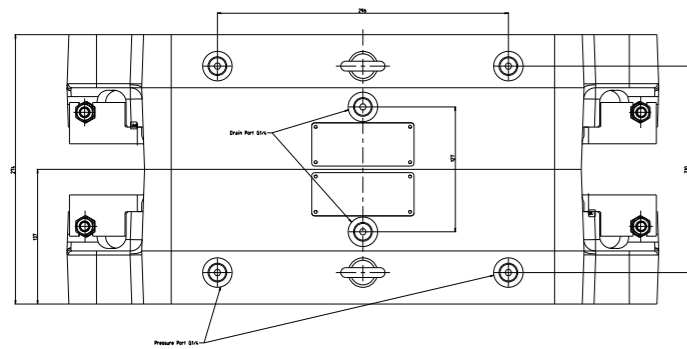
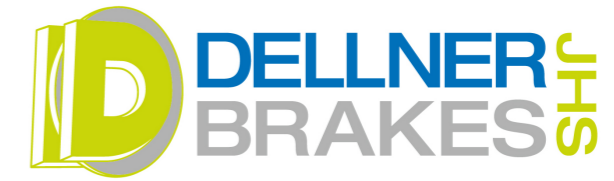
Carina Ziegler, Import and Export

JHS-36



- Brake hydraulically applied
- Airgap between brake pad and disc up to 2 mm per side
- Special epoxy resin pads with GFK carrier plate
- Tight fitting between brake pad and caliper
- Drain ports for hydraulic oil leakage, prevents oil on brake disc, high safety
- Min. / Max. working temperature -40 / +60 °C

JHS-36



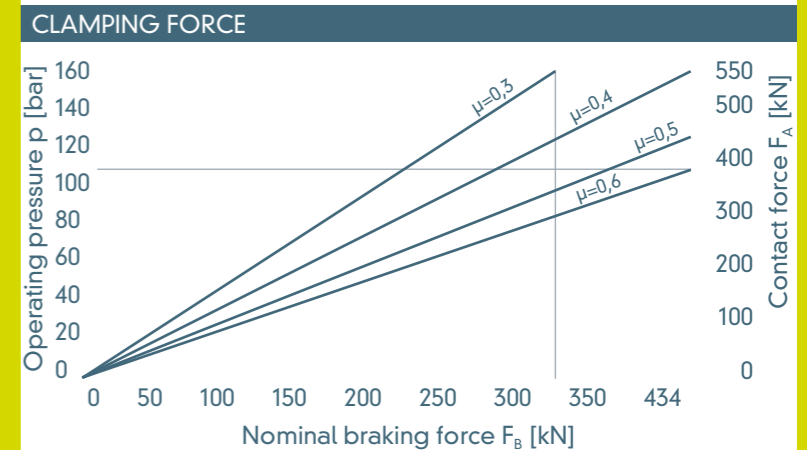
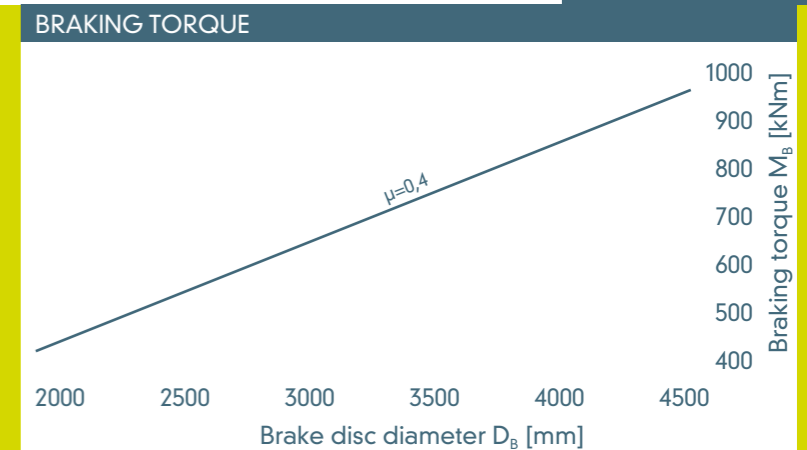
TYPE JHS-36	
Contact force F_A	542 kN
Operating pressure p (max)	160 bar
Piston area (per side)	339 cm ²
Volume at 1 mm stroke (per side)	33,9 cm ³
Temperature range	-40 / +60 °C
Weight	185 kg
Pressure connection port	G1/4
Drain connection port	G1/4

BRAKE PAD	
Pad area (each side)	398,2 cm ²
Brake pad width	138 mm
Theor. friction coefficient	0,4 μ

BRAKE DISC	
Brake disc ϕd_2	min. 2000 mm
Disc thickness (standard)	40 mm

BRAKING TORQUE	
Braking torque formula:	
$F_A = p \times 3,393$	
$F_B = F_A \times 2 \times \mu$	
$M_B = a \times F_B \times D_B / 2$	

- F_A = Contact force [kN]
- p = Operating pressure [bar]
- F_B = Nominal braking force [kN]
- M_B = Braking torque [kNm]
- a = Number of calipers acting on the disc
- D_B = Brake disc diameter [m]



- | OPTIONS | |
|---|--|
| • Complete piped supports for one more calipers | |
| • Hydraulic power unit | |
| • Brake disc | |
| • Brake pad with different material | |
| • Brake pad wear indicator | |