

# Active yaw brake caliper



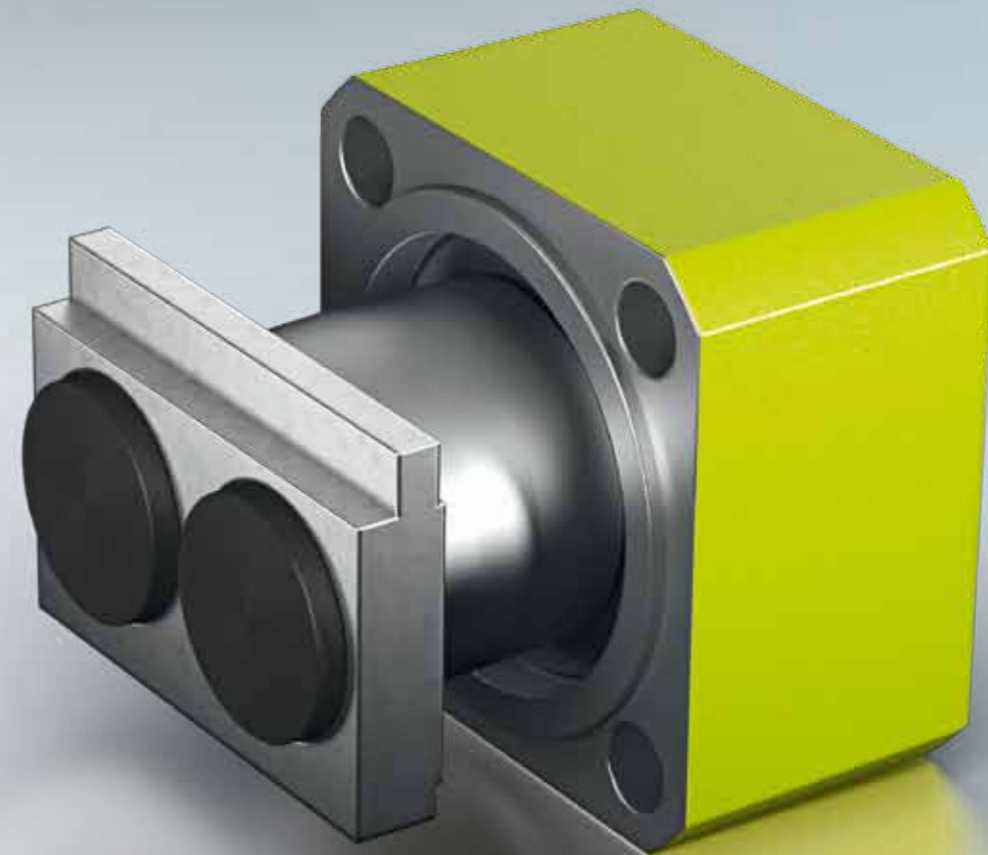
hält



As you would expect, there are many standards in our market. And as you might also imagine, we're very proud to have played a key role in shaping many of them.

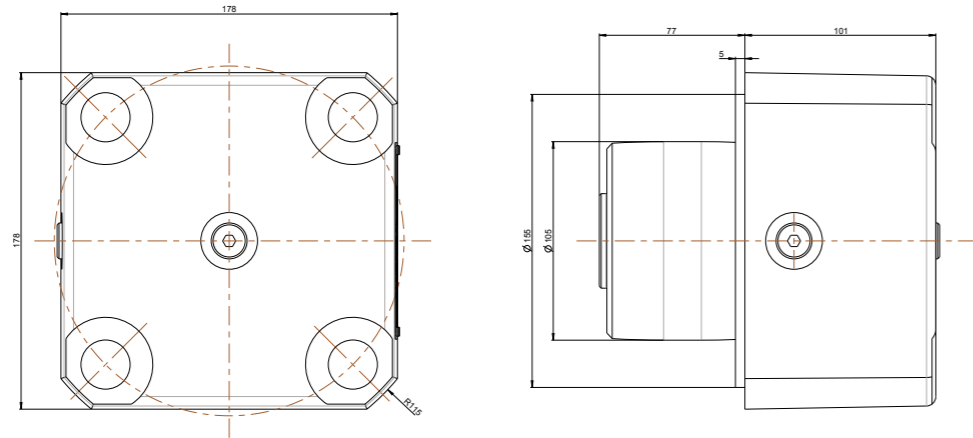
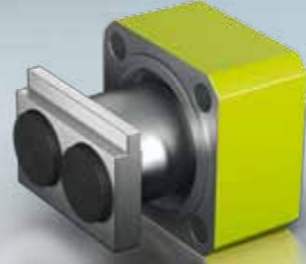
Tim Neumann, Quality Management

JHS-8



- Brake hydraulically applied
- Special epoxy resin pads
- Drain ports for hydraulic oil leakage, prevents oil on brake disc, high safety
- Min. / Max. working temperature -40 / +60 °C

JHS-8

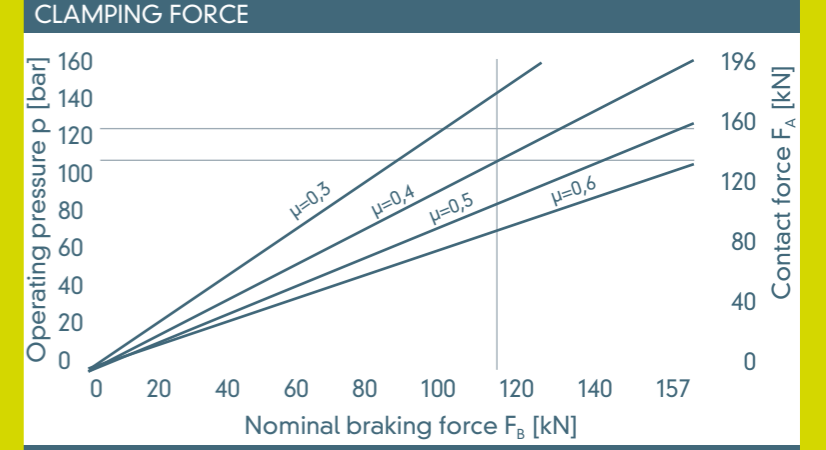
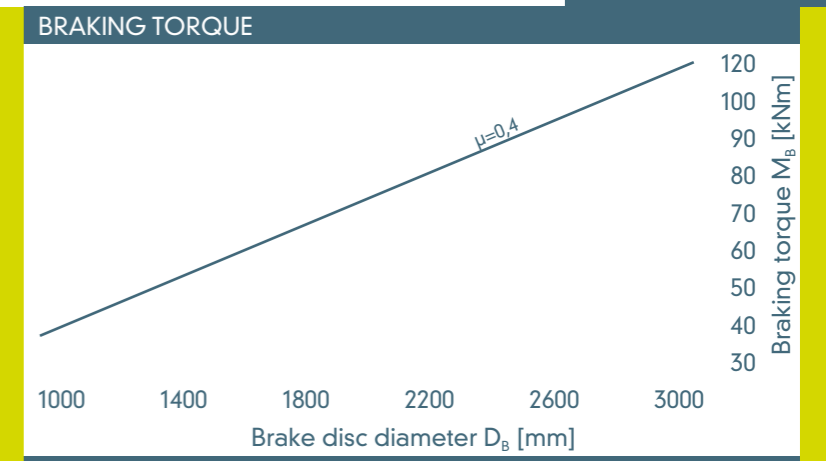


TYPE JHS-8	
Contact force $F_A$	196 kN
Operating pressure $p$ (max)	160 bar
Piston area	123 cm <sup>2</sup>
Volume at 1 mm stroke	12,3 cm <sup>3</sup>
Temperature range	-40 / +60 °C
Weight	30 kg
Pressure connection port	G1/4
Drain connection port	G1/4

BRAKE PAD	
Brake pad length	160 mm
Brake pad width	110 mm
Theor. friction coefficient	0,4 $\mu$

BRAKING TORQUE	
Braking torque formula:	
$F_A = p \times 1,227$	
$F_B = F_A \times 2 \times \mu$	
$M_B = a \times F_B \times D_B / 2$	

- $F_A$  = Contact force [kN]
- $p$  = Operating pressure [bar]
- $F_B$  = Nominal braking force [kN]
- $M_B$  = Braking torque [kNm]
- $a$  = Number of calipers acting on the disc
- $D_B$  = Brake disc diameter [m]



- | OPTIONS  |  |
|--|--|
| • Complete piped supports for one or more calipers |  |
| • Hydraulic power unit                             |  |
| • Brake disc                                       |  |
| • Brake pad with different material                |  |